

Futurelight[®]

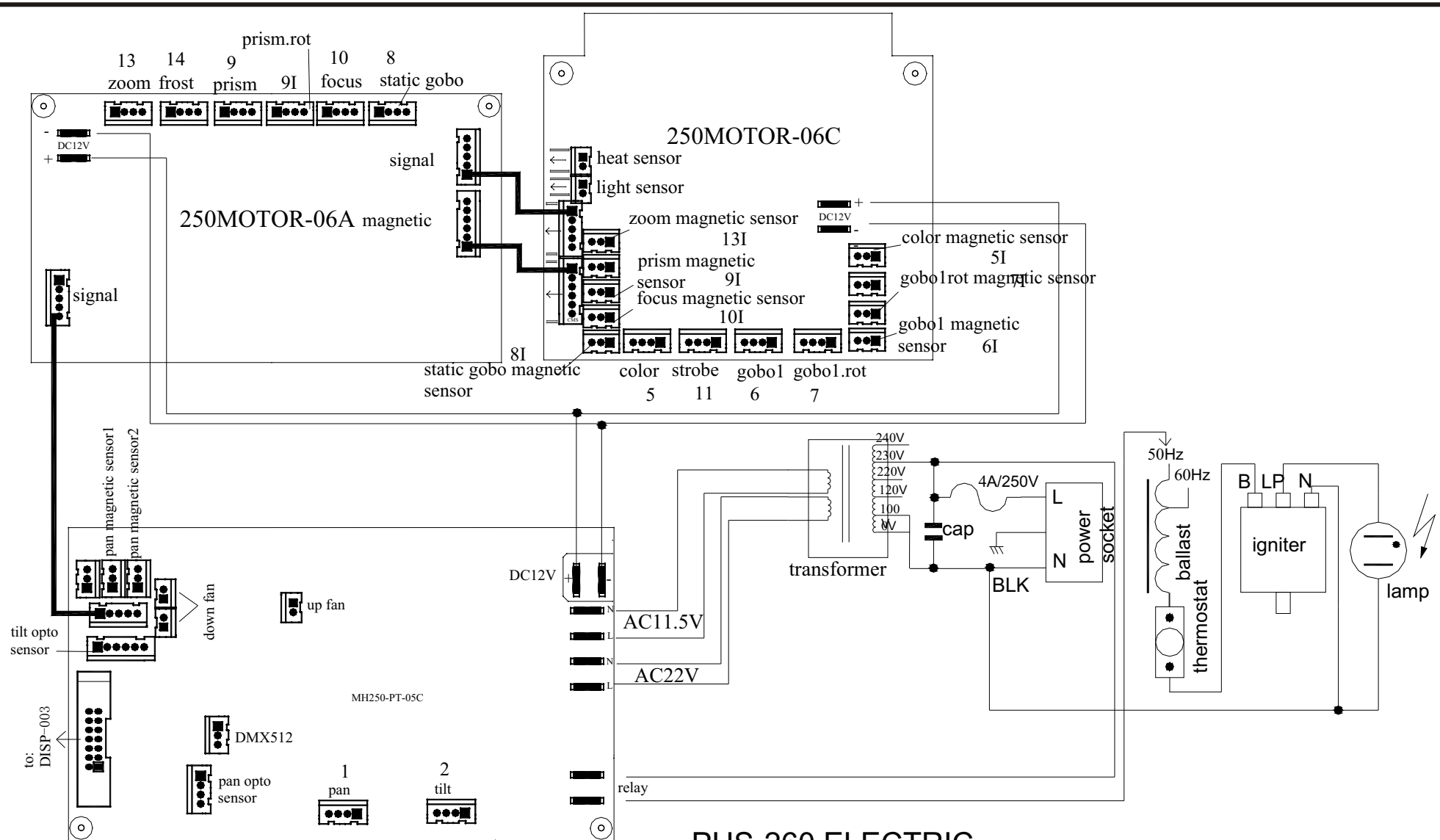
PHS-260
PRO-Head SPOT

Service-Dokumente

Service-documents

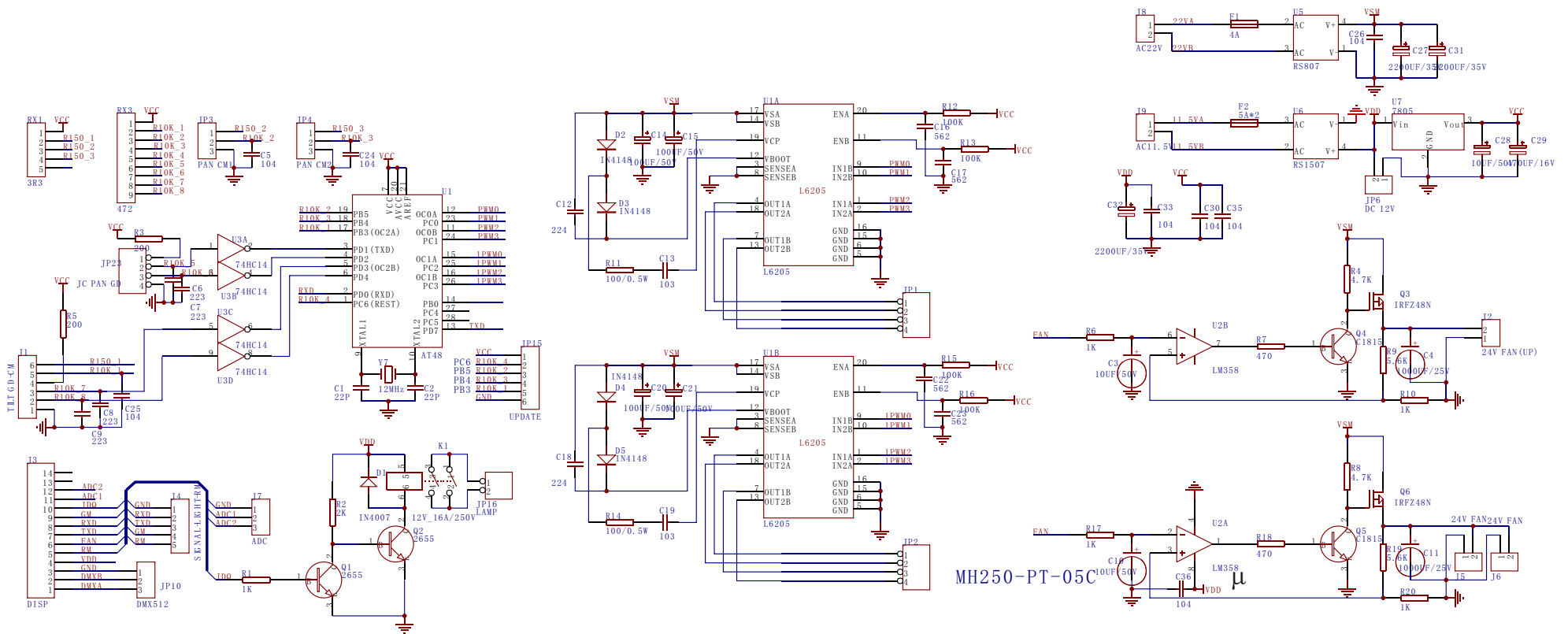
Documents de service

Documentos de servicio



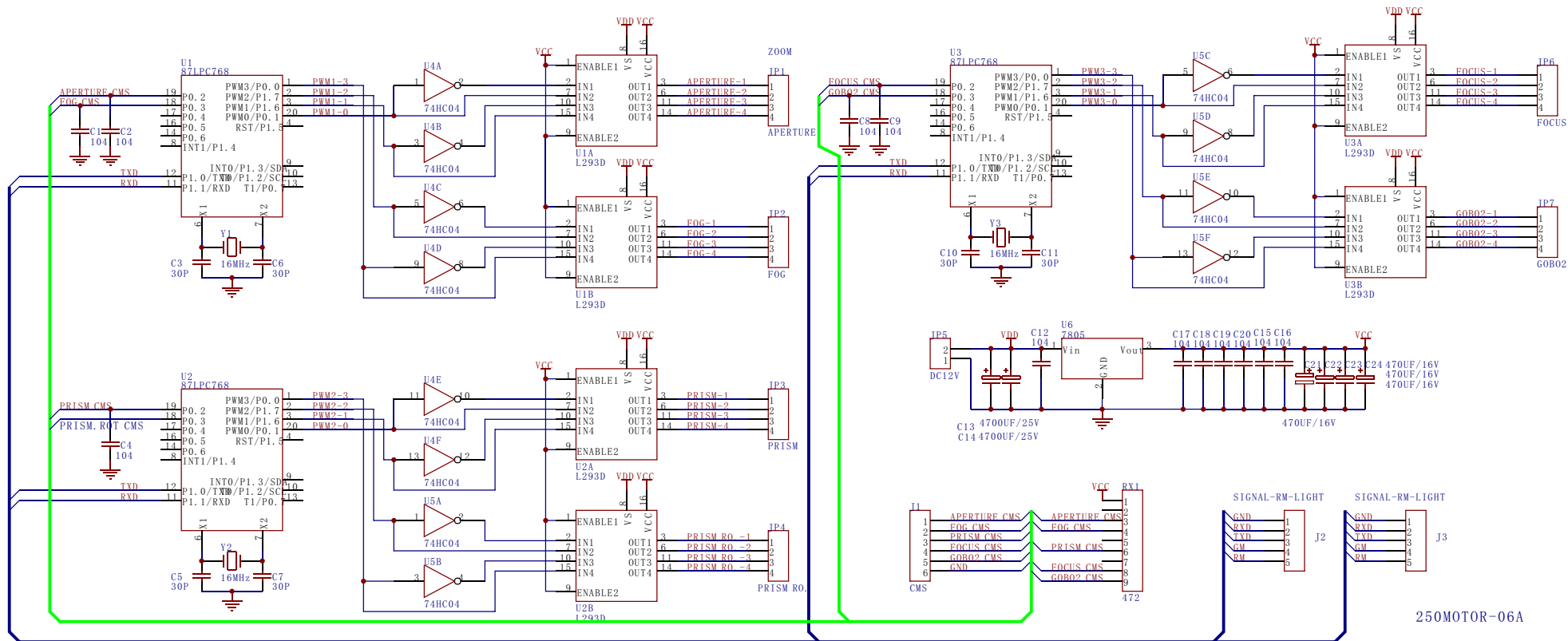
PHS-260 ELECTRIC

PRODUCT		PHS 260			
PIC. NO.		PHS-260 ELECTRIC			
EDIT		FILE NO.	GS-WIJL-064		
CHECK		VERSION	A	DATE	2006. 04. 11
APPROVE		ECN NO.		DATE	

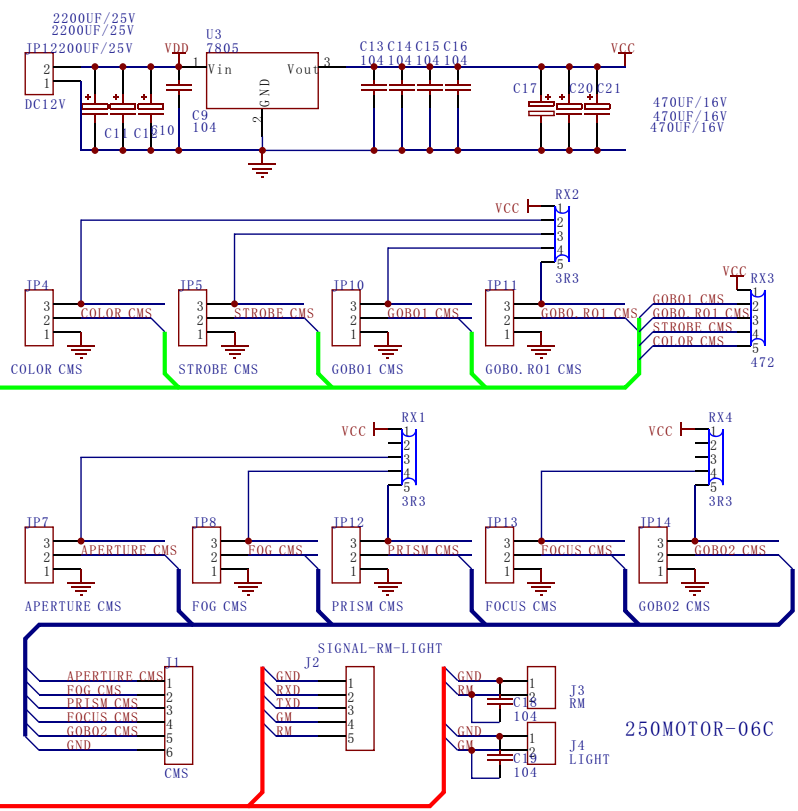
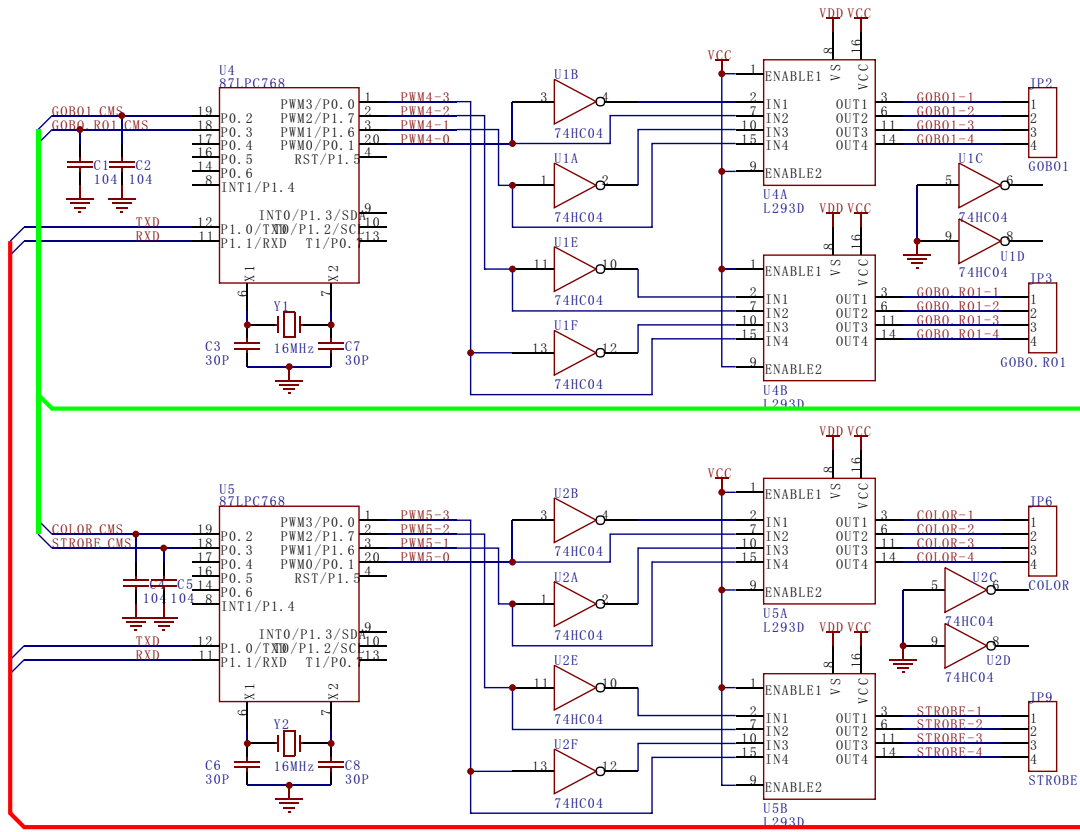


MH250-PT-05C

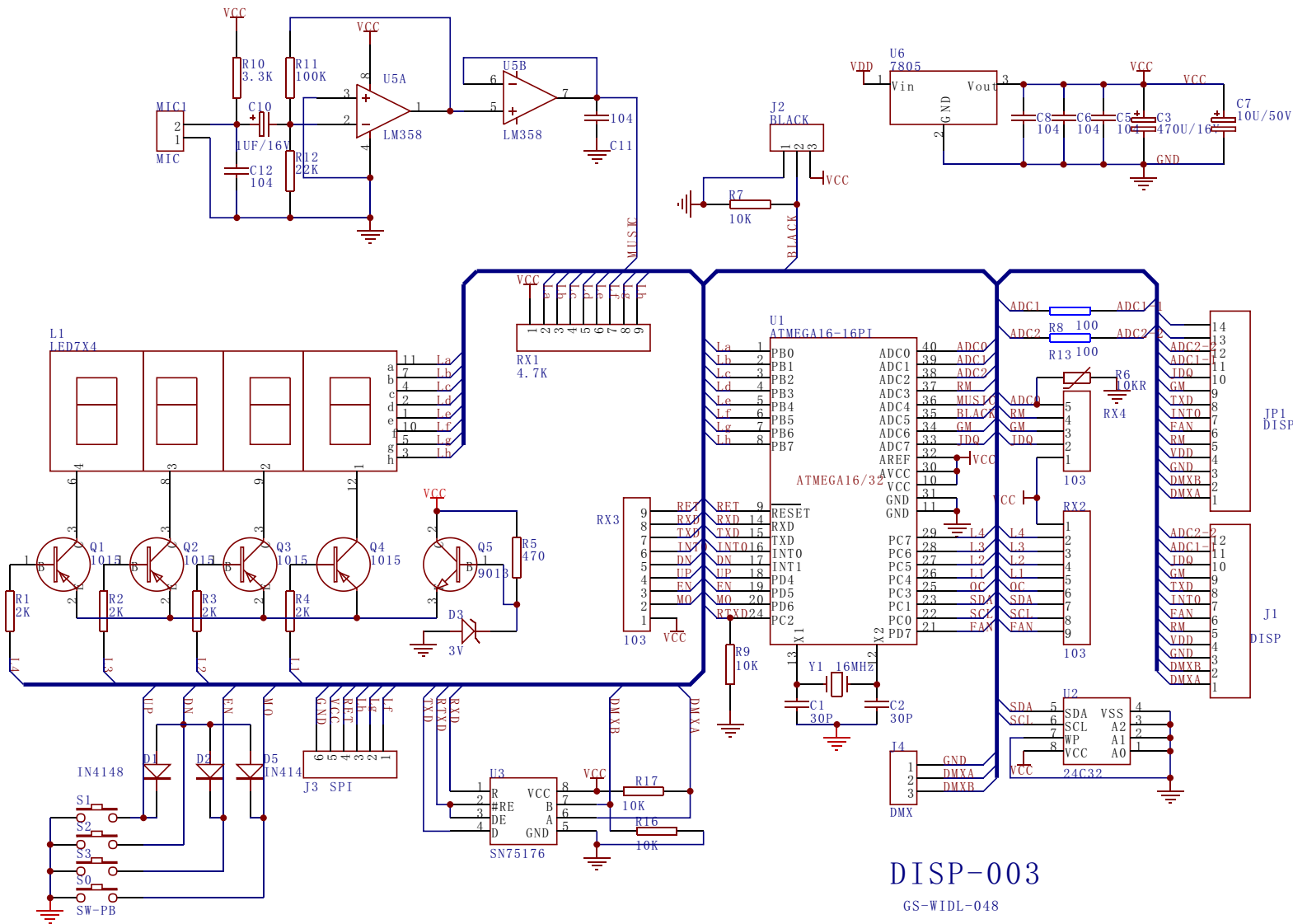
PRODUCT		PHS 260		
PIC. NO.		MH250-PT-05C SCHEME		
EDIT		FILE NO.	GS-WIDL-073	
CHECK		VERSION	NR	DATE 2006.04.11
APPROVE		ECN NO.		DATE



PRODUCT		PHS 260		
PIC. NO.		250MOTOR-06A SCHEME		
EDIT		FILE NO.	GS-WIDL-074	
CHECK		VERSION	NR	DATE 2006.04.11
APPROVE		ECN NO.	DATE	



PRODUCT		PHS 260		
PIC. NO.		250MOTOR-06C SCHEME		
EDIT		FILE NO.	GS-WIDL-075	
CHECK		VERSION	NR	DATE 2006.04.11
APPROVE		ECN NO.		DATE



DISP-003
GS-WIDL-048

PRODUCT		PHS 260		
PIC. NO.		DISP-003 SCHEME		
EDIT		FILE NO.	GS-WIDL-048	
CHECK		VERSION	NR	DATE 2006.04.11
APPROVE		ECN NO.	DATE	